
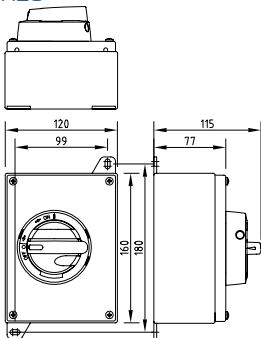


STAINLESS STEEL ENCLOSED SAFETY SWITCHES / ISOLATORS 16-630 A

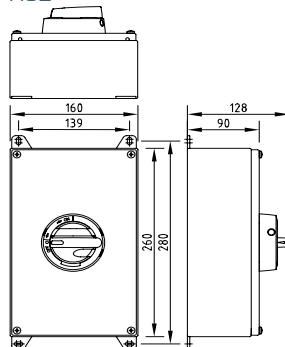


- IP 66; Enclosure types H23, H32, H02 (AISI 316, acid proof)
- IP 65; Enclosure types H03, H04 (AISI 304 as standard, AISI 316 upon request)
- Where hygiene and good protection against corrosion are required
- Padlockable 
- Door interlock with defeat mechanism

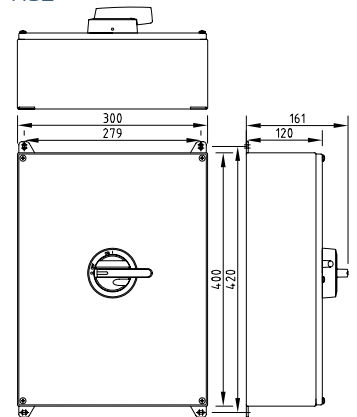
H23



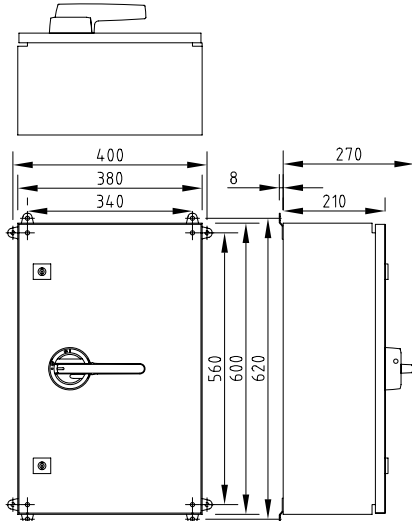
H32



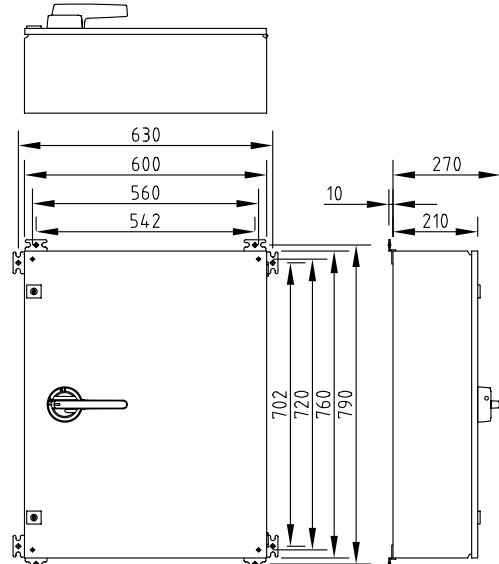
H02



H03



H04



STAINLESS STEEL ENCLOSED SAFETY SWITCHES / ISOLATORS 16-630 A

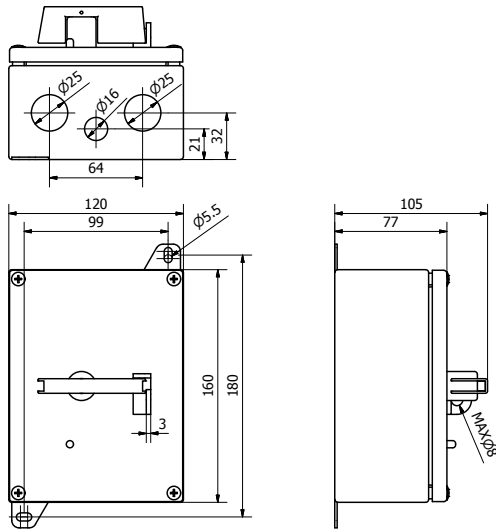
Type		AC-21	400 V	AC-22	400 V	AC-23	AC-23	690 V	EAN-Code		Enclosure	Weight kg
			415 V		415 V				690 V	690 V		
Grey/black	Yellow/red	I _e / A	I _e / A	I _e / A	P / kW	I _e / A	P / kW	P / kW	Grey/black	Yellow/red		
3-pole												
KER 316	KER 316 Y/R	25 A	16 A	16 A	7.5 kW	16 A	11 kW	...	343005	...343050	H23	1.2
KER 325	KER 325 Y/R	40 A	25 A	25 A	11 kW	25 A	22 kW	...	343203	...343258	H23	1.2
KER 340	KER 340 Y/R	63 A	40 A	40 A	22 kW	32 A	30 kW	...	343401	...343456	H23	1.2
KER 363	KER 363 Y/R	80 A	63 A	40 A	22 kW	40 A	37 kW	...	343562	...343579	H32	2.3
KER 380	KER 380 Y/R	100 A	80 A	63 A	30 kW	40 A	37 kW	...	343609	...343616	H32	2.3
KER 3125	KER 3125 Y/R	160 A	125 A	100 A	55 kW	80 A	55 kW	...	343647	...343654	H02	6.9
KER 3160	KER 3160 Y/R	200 A	160 A	135 A	75 kW	125 A	90 kW	...	343685	...343692	H02	6.9
KER 3200	KER 3200 Y/R	200 A	200 A	200 A	110 kW	200 A	160 kW	...	343722	...343739	H03	15
KER 3200C	KER 3200C Y/R	200 A	200 A*	200 A	110 kW	-	-	...	347805	...347812	H02	7.7
KER 3250	KER 3250 Y/R	250 A	250 A	250 A	132 kW	250 A	250 kW	...	343784	...343791	H03	15
KER 3250C	KER 3250C Y/R	250 A	250 A*	250 A	132 kW	-	-	...	347829	...347836	H02	7.7
KER 3315	KER 3315 Y/R	315 A	315 A	315 A	160 kW	315 A	315 kW	...	343845	...343852	H03	16
KER 3400	KER 3400 Y/R	400 A	400 A	400 A	200 kW	400 A	355 kW	...	343906	...343913	H03	16
KER 3630	KER 3630 Y/R	630 A	630 A	630 A	355 kW	500 A	500 kW	...	343968	...343975	H04	25
4-pole												
KER 416	KER 416 Y/R	25 A	16 A	16 A	7.5 kW	16 A	11 kW	...	343104	...343159	H23	1.3
KER 425	KER 425 Y/R	40 A	25 A	25 A	11 kW	25 A	22 kW	...	343302	...343357	H23	1.3
KER 440	KER 440 Y/R	63 A	40 A	40 A	22 kW	32 A	30 kW	...	343500	...343555	H23	1.3
KER 463	KER 463 Y/R	80 A	63 A	40 A	22 kW	40 A	37 kW	...	343586	...343593	H32	2.4
KER 480	KER 480 Y/R	100 A	80 A	63 A	30 kW	40 A	37 kW	...	343623	...343630	H32	2.4
KER 4125	KER 4125 Y/R	160 A	125 A	100 A	55 kW	80 A	55 kW	...	343661	...343678	H02	7
KER 4160	KER 4160 Y/R	200 A	160 A	135 A	75 kW	125 A	90 kW	...	343708	...343715	H02	7
KER 4200	KER 4200 Y/R	200 A	200 A	200 A	110 kW	200 A	160 kW	...	343746	...343753	H03	16
KER 4200C	KER 4200C Y/R	200 A	200 A*	200 A	110 kW	-	-	...	347843	...347850	H02	7.8
KER 4250	KER 4250 Y/R	250 A	250 A	250 A	132 kW	250 A	250 kW	...	343807	...343814	H03	16
KER 4250C	KER 4250C Y/R	250 A	250 A*	250 A	132 kW	-	-	...	347867	...347874	H02	7.8
KER 4315	KER 4315 Y/R	315 A	315 A	315 A	160 kW	315 A	315 kW	...	343869	...343876	H03	16
KER 4400	KER 4400 Y/R	400 A	400 A	400 A	200 kW	400 A	355 kW	...	343920	...343937	H03	16
KER 4630	KER 4630 Y/R	630 A	630 A	630 A	355 kW	500 A	500 kW	...	344002	...344019	H04	26
6-pole												
KER 616	KER 616 YR	25 A	16 A	16 A	7.5 kW	16 A	11 kW	...	342879	...342237	H32	2.5
KER 625	KER 625 Y/R	40 A	25 A	25 A	11 kW	25 A	22 kW	...	342893	...342251	H32	2.5
KER 640	KER 640 Y/R	63 A	40 A	40 A	22 kW	32 A	30 kW	...	342916	...342275	H32	2.5
KER 663	KER 663 Y/R	80 A	63 A	40 A	22 kW	40 A	37 kW	...	342930	...342299	H32	2.5
KER 680	KER 680 Y/R	100 A	80 A	63 A	30 kW	40 A	37 kW	...	342954	...342312	H32	2.5
KER 6125	KER 6125 Y/R	160 A	125 A	100 A	55 kW	80 A	55 kW	...	342978	...342336	H02	7.3
KER 6160	KER 6160 Y/R	200 A	160 A	135 A	75 kW	125 A	90 kW	...	342992	...342367	H02	7.3
KER 6200	KER 6200 Y/R	200 A	200 A	200 A	110 kW	200 A	160 kW	...	343760	...343777	H04	25
KER 6250	KER 6250 Y/R	250 A	250 A	250 A	132 kW	250 A	250 kW	...	343821	...343838	H04	25
KER 6315	KER 6315 Y/R	315 A	315 A	315 A	160 kW	315 A	315 kW	...	343883	...343890	H04	26
KER 6400	KER 6400 Y/R	400 A	400 A	400 A	200 kW	400 A	355 kW	...	343944	...343951	H04	26
8-pole												
KER 816	KER 816 Y/R	25 A	16 A	16 A	7.5 kW	16 A	11 kW	...	342886	...342244	H32	2.6
KER 825	KER 825 Y/R	40 A	25 A	25 A	11 kW	25 A	22 kW	...	342909	...342268	H32	2.6
KER 840	KER 840 Y/R	63 A	40 A	40 A	22 kW	32 A	30 kW	...	342923	...342282	H32	2.6
KER 863	KER 863 Y/R	80 A	63 A	40 A	22 kW	40 A	37 kW	...	342947	...342305	H32	2.6
KER 880	KER 880 Y/R	100 A	80 A	63 A	30 kW	40 A	37 kW	...	342961	...342329	H32	2.6
KER 8125	KER 8125 Y/R	160 A	125 A	100 A	55 kW	80 A	55 kW	...	342985	...342350	H02	7.5
KER 8160	KER 8160 Y/R	200 A	160 A	135 A	75 kW	125 A	90 kW	...	343012	...342374	H02	7.5
* 400/415 V												

STAINLESS STEEL ENCLOSED SAFETY SWITCHES / ISOLATORS 16-25 A

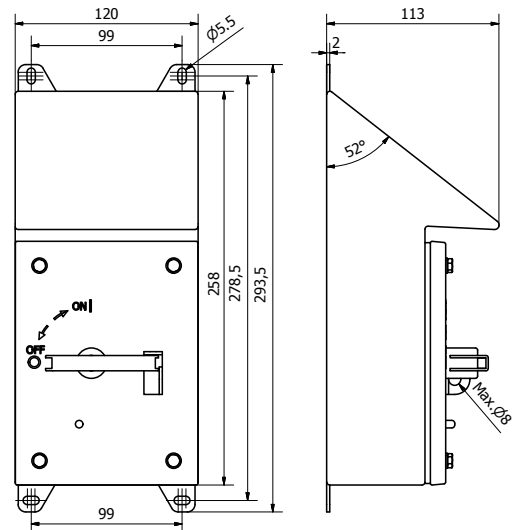


- Designed for hygienic and heavy environment
- Easy to install and to keep clean
- IP 66, stainless steel enclosure
- Acid proof, AISI 316
- 16-25 A, AC23 690V
- Available 3-4 pole
- Rainhood protection with angled top
- Padlockable stainless steel handle LKR1

H23



H24



Type		400 V		400 V		AC-23		690 V		EAN-Code		Enclosure & handle		Weight kg	
		AC-21	415 V 690 V	AC-22	415 V 690 V	400 V 415 V	AC-23	690 V	Without angled top	With angled top	Without angled top	With angled top	Without angled top	With angled top	
Without angled top	With angled top	I_n / A		I_n / A		I_n / A	P / kW	I_n / A	P / kW	6419410...	Without angled top	With angled top	Without angled top	With angled top	
3-pole															
KER 316R	KER 316RS	25 A		16 A		16 A	7.5 kW	16 A	11 kW	...306550	...306611	H23+LKR1	H24+LKR1	1.2	1.7
KER 325R	KER 325RS	40 A		25 A		25 A	11 kW	25 A	22 kW	...306567	...306628	H23+LKR1	H24+LKR1	1.2	1.7
KER 340R	KER 340RS	63 A		40 A		40 A	22 kW	32 A	30 kW	...306574	...306635	H23+LKR1	H24+LKR1	1.2	1.7
4-pole															
KER 416R	KER 416RS	25 A		16 A		16 A	7.5 kW	16 A	11 kW	...306581	...306642	H23+LKR1	H24+LKR1	1.3	1.8
KER 425R	KER 425RS	40 A		25 A		25 A	11 kW	25 A	22 kW	...306598	...306659	H23+LKR1	H24+LKR1	1.3	1.8
KER 440R	KER 440RS	63 A		40 A		40 A	22 kW	32 A	30 kW	...306604	...306666	H23+LKR1	H24+LKR1	1.3	1.8