
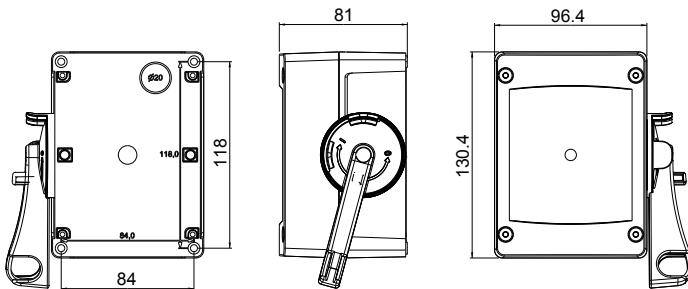


## SIDE OPERATED SWITCHES POLYCARBONATE ENCLOSED 16-40 A



- Available in grey/black, yellow/red or fireman red
- Good resistance against UV and many chemicals
- Self-extinguishing material and excellent insulating properties
- Fully rated Load Break Switch breaking capacity of 8 x AC23 rating
- Cable entries 2 x M20/M25 as standard on the top and bottom and M20 on the base
- Mounting holes: 118,0 x 84,0
- Padlockable handle in 0-position and also available in 1-position 
- Knock-out glands are easy to open
- Large cable terminals 1,5 - 16 mm<sup>2</sup>

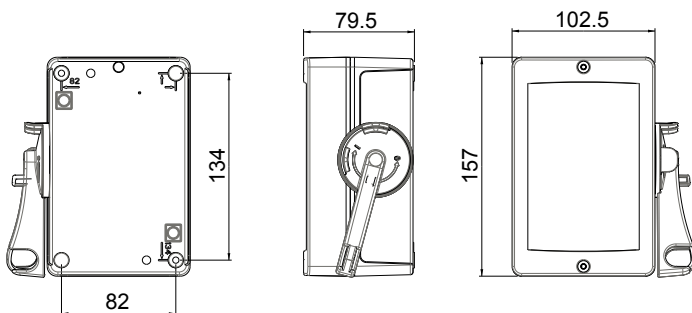


Type		AC-21		AC-22		AC-23		AC-23		EAN-Code		Enclosure	Weight kg	
		400 V	415 V	400 V	415 V	400 V	415 V	400 V	415 V	690 V	690 V			
Grey/black	Yellow/red	I <sub>e</sub> / A	I <sub>e</sub> / A	I <sub>e</sub> / A	I <sub>e</sub> / A	I <sub>e</sub> / A	P / kW	I <sub>e</sub> / A	P / kW	P / kW	Grey/black	Yellow/red		
<b>3-pole</b>														
KE 316M	KE 316M Y/R	25 A	16 A	16 A	16 A	7.5 kW	16 A	11 kW	...304006	...304129	U2		0.5	
KE 325M	KE 325M Y/R	40 A	25 A	25 A	25 A	11 kW	25 A	22 kW	...304013	...304136	U2		0.5	
KE 340M	KE 340M Y/R	63 A	40 A	40 A	40 A	22 kW	32 A	30 kW	...304020	...304143	U2		0.5	
<b>4-pole</b>														
KE 416M	KE 416M Y/R	25 A	16 A	16 A	16 A	7.5 kW	16 A	11 kW	...304037	...304150	U2		0.5	
KE 425M	KE 425M Y/R	40 A	25 A	25 A	25 A	11 kW	25 A	22 kW	...304044	...304167	U2		0.5	
KE 440M	KE 440M Y/R	63 A	40 A	40 A	40 A	22 kW	32 A	30 kW	...304051	...304174	U2		0.5	
<b>Fireman version</b>														
<b>3-pole</b>														
KEF 316M		25 A	16 A	16 A	16 A	7.5 kW	16 A	11 kW	...304365		U2		0.5	
KEF 325M		40 A	25 A	25 A	25 A	11 kW	25 A	22 kW	...304372		U2		0.5	
KEF 340M		63 A	40 A	40 A	40 A	22 kW	32 A	30 kW	...304389		U2		0.5	
KEF 416M		25 A	16 A	16 A	16 A	7.5 kW	16 A	11 kW	...304396		U2		0.5	
KEF 425M		40 A	25 A	25 A	25 A	11 kW	25 A	22 kW	...304402		U2		0.5	
KEF 440M		63 A	40 A	40 A	40 A	22 kW	32 A	30 kW	...304419		U2		0.5	

## SIDE OPERATED SWITCHES ALUMINIUM ENCLOSED 16-40 A



- Available in grey/black, yellow/red or fireman red
- Good resistance against UV and many chemicals
- Withstands high impact and has wide operating temperature
- Fully rated Load Break Switch breaking capacity of 8 x AC23 rating
- Cable entries: 2 x M25 as standard on the top and bottom
- Mounting holes: 213,0 x 144,0
- Padlockable handle in 0-position and also available in 1-position
- EMC shielding with EMC glands as an option
- Large cable terminals 1,5 - 16 mm<sup>2</sup>
- KE handle on right side, KEF handle on left side



Type		AC-21	400 V 415 V 690 V	AC-22	400 V 415 V 690 V	AC-23	400 V 415 V	AC-23	690 V	EAN-Code		Enclosure	Weight kg
Grey/black	Yellow/red	I <sub>e</sub> / A	I <sub>e</sub> / A	I <sub>e</sub> / A	P / kW	I <sub>e</sub> / A	P / kW	P / kW	Grey/black	Yellow/red			
<b>3-pole</b>													
KE 316A	KE 316A Y/R	25 A	16 A	16 A	7.5 kW	16 A	11 kW	16 A	11 kW	6419410304488	6419410304600	A2	0.9
KE 325A	KE 325A Y/R	40 A	25 A	25 A	11 kW	25 A	22 kW	25 A	22 kW	6419410304495	6419410304617	A2	0.9
KE 340A	KE 340A Y/R	63 A	40 A	40 A	22 kW	32 A	30 kW	32 A	30 kW	6419410304501	6419410304624	A2	0.9
<b>4-pole</b>													
KE 416A	KE 416A Y/R	25 A	16 A	16 A	7.5 kW	16 A	11 kW	16 A	11 kW	6419410304518	6419410304631	A2	0.9
KE 425A	KE 425A Y/R	40 A	25 A	25 A	11 kW	25 A	22 kW	25 A	22 kW	6419410304525	6419410304648	A2	0.9
KE 440A	KE 440A Y/R	63 A	40 A	40 A	22 kW	32 A	30 kW	32 A	30 kW	6419410304532	6419410304655	A2	0.9
<b>Fireman version</b>													
<b>3-pole</b>													
KEF 316A		25 A	16 A	16 A	7.5 kW	16 A	11 kW	16 A	11 kW	6419410305003		A2	0.9
KEF 325A		40 A	25 A	25 A	11 kW	25 A	22 kW	25 A	22 kW	6419410304846		A2	0.9
KEF 340A		63 A	40 A	40 A	22 kW	32 A	30 kW	32 A	30 kW	6419410304853		A2	0.9
<b>4-pole</b>													
KEF 416A		25 A	16 A	16 A	7.5 kW	16 A	11 kW	16 A	11 kW	6419410304860		A2	0.9
KEF 425A		40 A	25 A	25 A	11 kW	25 A	22 kW	25 A	22 kW	6419410304877		A2	0.9
KEF 440A		63 A	40 A	40 A	22 kW	32 A	30 kW	32 A	30 kW	6419410304884		A2	0.9