


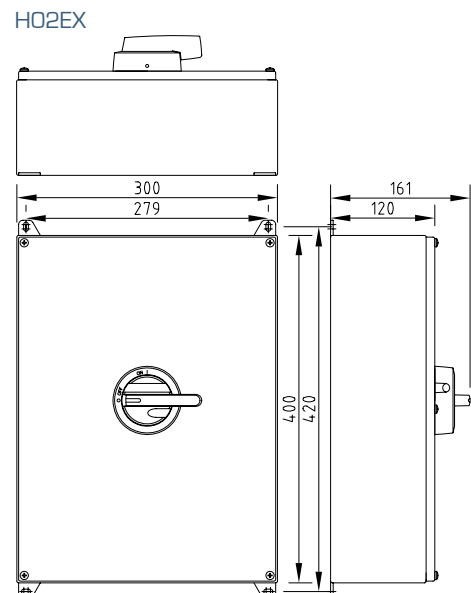
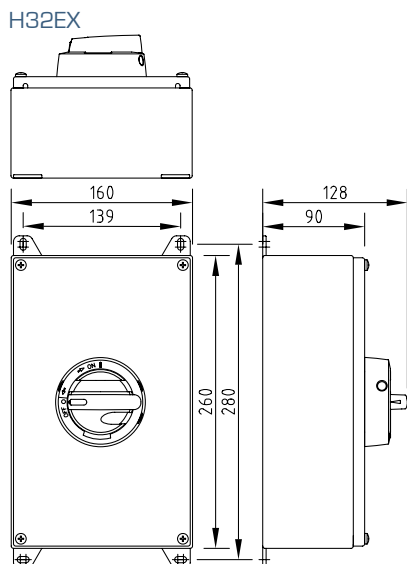
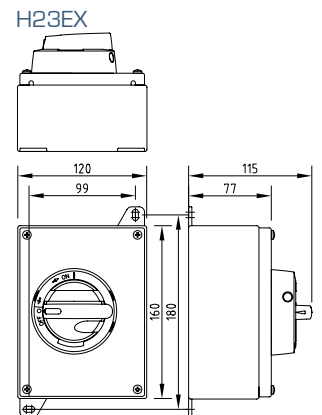
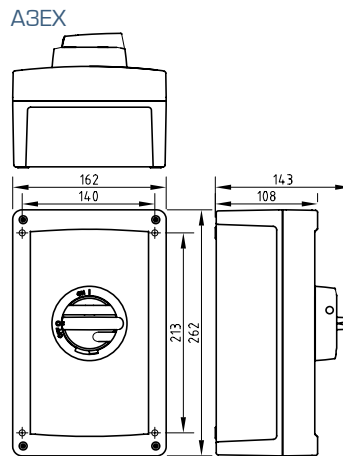
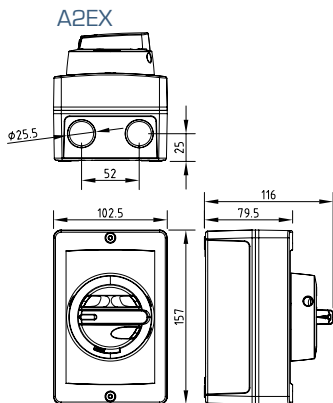


ATEX SWITCHES SAFETY SWITCHES / ISOLATORS 16-160 A



- ATEX CABLE GLANDS INCLUDED
- Conforming to EN 61241
- Suitable for use in Zone 22 (Category 3D)
- IP 66
- Frontal impact test of 7 J
- Temperature range from -20 °C to +40°C
- Available in aluminium and stainless steel
- Available in yellow/red: Add Y/R at the end of product code
- Padlockable
- Door interlock    at mechanism
- Separate ATEX-enclosures upon request

ATEX



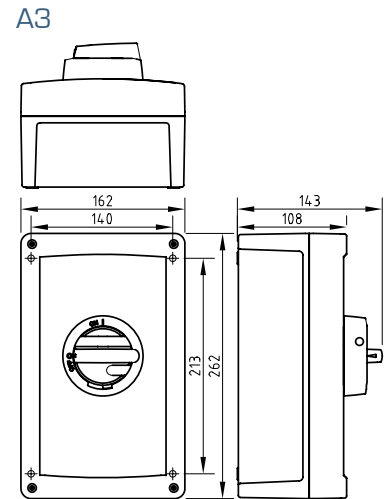
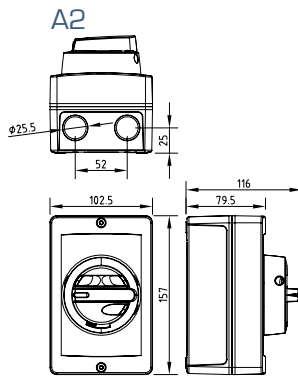
ATEX SWITCHES SAFETY SWITCHES / ISOLATORS 16-160 A

Type	AC-21	400 V	AC-22	400 V	AC-23	400 V	AC-23	EAN-Code	Enclosure	Cable glands	Weight kg	
		415 V		415 V								415 V
		690 V		690 V								690 V
I _n / A	I _n / A	I _n / A	P / kW	I _n / A	P / kW							
Aluminium enclosures												
3-pole												
KEA 316U EX	25 A	16 A	16 A	7.5 kW	16 A	11 kW	6419410305508	A2EX	2xM25	0.9		
KEA 325U EX	40 A	25 A	25 A	11 kW	25 A	22 kW	6419410305515	A2EX	2xM25	0.9		
KEA 340U EX	63 A	40 A	40 A	22 kW	32 A	30 kW	6419410305522	A2EX	2xM25	0.9		
KEA 363U EX	80 A	63 A	40 A	22 kW	40 A	37 kW	6419410305560	A3EX	2xM40	2.3		
KEA 380U EX	100 A	80 A	63 A	30 kW	40 A	37 kW	6419410305577	A3EX	2xM40	2.3		
KEA 3125U EX	160 A	125 A	100 A	55 kW	80 A	55 kW	6419410305584	A3EX	2xM40	3.8		
KEA 3160U EX	200 A	160 A	135 A	75 kW	125 A	90 kW	6419410305591	A3EX	2xM40	3.8		
4-pole												
KEA 416U EX	25 A	16 A	16 A	7.5 kW	16 A	11 kW	6419410305539	A2EX	2xM25	1		
KEA 425U EX	40 A	25 A	25 A	11 kW	25 A	22 kW	6419410305546	A2EX	2xM25	1		
KEA 440U EX	63 A	40 A	40 A	22 kW	32 A	30 kW	6419410305553	A2EX	2xM25	1		
KEA 463U EX	80 A	63 A	40 A	22 kW	40 A	37 kW	6419410305607	A3EX	2xM40	2.4		
KEA 480U EX	100 A	80 A	63 A	30 kW	40 A	37 kW	6419410305614	A3EX	2xM40	2.4		
KEA 4125U EX	160 A	125 A	100 A	55 kW	80 A	55 kW	6419410305621	A3EX	2xM40	3.9		
KEA 4160U EX	200 A	160 A	135 A	75 kW	125 A	90 kW	6419410305638	A3EX	2xM40	3.9		
6-pole												
KEA 616U EX	25 A	16 A	16 A	7.5 kW	16 A	11 kW	6419410306208	A3EX	2xM40	2.6		
KEA 625U EX	40 A	25 A	25 A	11 kW	25 A	22 kW	6419410306215	A3EX	2xM40	2.6		
KEA 640U EX	63 A	40 A	40 A	22 kW	32 A	30 kW	6419410306222	A3EX	2xM40	2.6		
KEA 663U EX	80 A	63 A	40 A	22 kW	40 A	37 kW	6419410306239	A3EX	2xM40	2.6		
KEA 680U EX	100 A	80 A	63 A	30 kW	40 A	37 kW	6419410306246	A3EX	2xM40	2.6		
8-pole												
KEA 816U EX	25 A	16 A	16 A	7.5 kW	16 A	11 kW	6419410306253	A3EX	2xM40	2.7		
KEA 825U EX	40 A	25 A	25 A	11 kW	25 A	22 kW	6419410306260	A3EX	2xM40	2.7		
KEA 840U EX	63 A	40 A	40 A	22 kW	32 A	30 kW	6419410306277	A3EX	2xM40	2.7		
KEA 863U EX	80 A	63 A	40 A	22 kW	40 A	37 kW	6419410306284	A3EX	2xM40	2.7		
KEA 880U EX	100 A	80 A	63 A	30 kW	40 A	37 kW	6419410306291	A3EX	2xM40	2.7		
Stainless steel enclosures												
3-pole												
KER 316 EX	25 A	16 A	16 A	7.5 kW	16 A	11 kW	6419410305645	H23EX	2xM25	1.3		
KER 325 EX	40 A	25 A	25 A	11 kW	25 A	22 kW	6419410305652	H23EX	2xM25	1.3		
KER 340 EX	63 A	40 A	40 A	22 kW	32 A	30 kW	6419410305669	H23EX	2xM25	1.3		
KER 363 EX	80 A	63 A	40 A	22 kW	40 A	37 kW	6419410305706	H32EX	2xM32	2.5		
KER 380 EX	100 A	80 A	63 A	30 kW	40 A	37 kW	6419410305713	H32EX	2xM32	2.5		
KER 3125 EX	160 A	125 A	100 A	55 kW	80 A	55 kW	6419410305720	H02EX	2xM40	7.2		
KER 3160 EX	200 A	160 A	135 A	75 kW	125 A	90 kW	6419410305737	H02EX	2xM40	7.2		
4-pole												
KER 416 EX	25 A	16 A	16 A	7.5 kW	16 A	11 kW	6419410305676	H23EX	2xM25	1.4		
KER 425 EX	40 A	25 A	25 A	11 kW	25 A	22 kW	6419410305683	H23EX	2xM25	1.4		
KER 440 EX	63 A	40 A	40 A	22 kW	32 A	30 kW	6419410305690	H23EX	2xM25	1.4		
KER 463 EX	80 A	63 A	40 A	22 kW	40 A	37 kW	6419410305744	H32EX	2xM32	2.6		
KER 480 EX	100 A	80 A	63 A	30 kW	40 A	37 kW	6419410305751	H32EX	2xM32	2.6		
KER 4125 EX	160 A	125 A	100 A	55 kW	80 A	55 kW	6419410305768	H02EX	2xM40	7.3		
KER 4160 EX	200 A	160 A	135 A	75 kW	125 A	90 kW	6419410305775	H02EX	2xM40	7.3		
6-pole												
KER 616 EX	25 A	16 A	16 A	7.5 kW	16 A	11 kW	6419410306406	H32EX	2xM25	2.6		
KER 625 EX	40 A	25 A	25 A	11 kW	25 A	22 kW	6419410306413	H32EX	2xM25	2.6		
KER 640 EX	63 A	40 A	40 A	22 kW	32 A	30 kW	6419410306420	H32EX	2xM25	2.6		
KER 663 EX	80 A	63 A	40 A	22 kW	40 A	37 kW	6419410306437	H32EX	2xM32	2.7		
KER 680 EX	100 A	80 A	63 A	30 kW	40 A	37 kW	6419410306444	H32EX	2xM32	2.7		
KER 6125 EX	160 A	125 A	100 A	55 kW	80 A	55 kW	6419410306505	H02EX	4xM40	7.6		
KER 6160 EX	200 A	160 A	135 A	75 kW	125 A	90 kW	6419410306512	H02EX	4xM40	7.6		
8-pole												
KER 816 EX	25 A	16 A	16 A	7.5 kW	16 A	11 kW	6419410306451	H32EX	2xM25	2.7		
KER 825 EX	40 A	25 A	25 A	11 kW	25 A	22 kW	6419410306468	H32EX	2xM25	2.7		
KER 840 EX	63 A	40 A	40 A	22 kW	32 A	30 kW	6419410306475	H32EX	2xM32	2.8		
KER 863 EX	80 A	63 A	40 A	22 kW	40 A	37 kW	6419410306482	H32EX	2xM32	2.8		
KER 880 EX	100 A	80 A	63 A	30 kW	40 A	37 kW	6419410306499	H32EX	2xM32	2.8		
KER 8125 EX	160 A	125 A	100 A	55 kW	80 A	55 kW	6419410306529	H02EX	4xM40	7.8		
KER 8160 EX	200 A	160 A	135 A	75 kW	125 A	90 kW	6419410306536	H02EX	4xM40	7.8		

FIRERATED ALUMINIUM ENCLOSED SAFETY SWITCHES / ISOLATORS 16-160A



- F200 3H
- IP66 Enclosure type A2, A3
- Padlockable
- Door interlock with defeat mechanism
- ON-Locking facility as option
- Good corrosion and UV resistance
- Excellent for hard weather conditions



Type	AC-21		AC-22	AC-23		AC-23	690 V	EAN-Code 6419410...	Enclosure	Weight kg
	400 V 415 V 690 V	I _e / A		400 V 415 V 690 V	I _e / A					
FIRERATED										
3-pole										
KEA 316U FR	25 A	16 A	16 A	7.5 kW	16 A	11 kW	...305294	A2	0.8	
KEA 325U FR	40 A	25 A	25 A	11 kW	25 A	22 kW	...305300	A2	0.8	
KEA 340U FR	63 A	40 A	40 A	22 kW	32 A	30 kW	...305317	A2	0.8	
KEA 363U FR	80 A	63 A	40 A	22 kW	40 A	37 kW	...305324	A3	2	
KEA 380U FR	100 A	80 A	63 A	30 kW	40 A	37 kW	...305331	A3	2	
4-pole										
KEA 416U FR	25 A	16 A	16 A	7.5 kW	16 A	11 kW	...305348	A2	0.9	
KEA 425U FR	40 A	25 A	25 A	11 kW	25 A	22 kW	...305355	A2	0.9	
KEA 440U FR	63 A	40 A	40 A	22 kW	32 A	30 kW	...305362	A2	0.9	
KEA 463U FR	80 A	63 A	40 A	22 kW	40 A	37 kW	...305379	A3	2.1	
KEA 480U FR	100 A	80 A	63 A	30 kW	40 A	37 kW	...305386	A3	2.1	
6-pole										
KEA 616U FR	25 A	16 A	16 A	7.5 kW	16 A	11 kW	...305393	A3	2.3	
KEA 625U FR	40 A	25 A	25 A	11 kW	25 A	22 kW	...305409	A3	2.3	
KEA 640U FR	63 A	40 A	40 A	22 kW	32 A	30 kW	...305416	A3	2.3	
KEA 663U FR	80 A	63 A	40 A	22 kW	40 A	37 kW	...305423	A3	2.3	
KEA 680U FR	100 A	80 A	63 A	30 kW	40 A	37 kW	...305430	A3	2.3	
8-pole										
KEA 816U FR	25 A	16 A	16 A	7.5 kW	16 A	11 kW	...305447	A3	2.4	
KEA 825U FR	40 A	25 A	25 A	11 kW	25 A	22 kW	...305454	A3	2.4	
KEA 840U FR	63 A	40 A	40 A	22 kW	32 A	30 kW	...305461	A3	2.4	
KEA 863U FR	80 A	63 A	40 A	22 kW	40 A	37 kW	...305478	A3	2.4	
KEA 880U FR	100 A	80 A	63 A	30 kW	40 A	37 kW	...305485	A3	2.4	

* 400/415 V